



## VPFlowMate

The VPFlowMate can be used for point of use measurement and leakage management. It can also be used at the supply side, in small compressed air houses. We offer 3 types with different measurement ranges. All come standard with a yellow 2 line display, on which you can read the actual flow and totalizer simultaneously. The VPFlowMate is one of the first products we developed and has been on the market for more than ten years. It's the proven concept for compressed air and technical gas flow measurement.

## VPFlowMate

- > Mass flow, total flow
- > Built-in 2-line display
- > Large measurement range

### Applications

- > Demand side measurement
- > Point of use
- > Cost allocation
- > Leakage management

# Specifications

## VPFlowMate

### Flow sensor

Measuring principle	Thermabridge™ Thermal Mass Flow
Flow ranges	See range table
Accuracy	<0.5% of full scale (when with ISO calibration and tubing kit)
Reference conditions	0 degrees Celsius, 1013.25 mbar
Gases	Compressed air, Nitrogen and inert, non condensing gases
Gas Temperature range	0 ... +50 °C
Pressure range	0 ... 16 bar gage
Humidity range	Up to 95% Relative Humidity, non condensing

### Display

Technology	Liquid Crystal (LCD)
Back light	Yellow

### Mechanical & environmental

Protection grade	IP65   NEMA 4, avoid direct sunlight and rain
Housing material	Aluminum, 2 component paint
Wetted materials	Epoxy, glass, stainless steel 316, anodized aluminum
Ambient temperature range	-10 ... +50 °C   14 ... 122 °F
Corrosion resistance	Highly corrosive or acid environments should be avoided

### Electrical

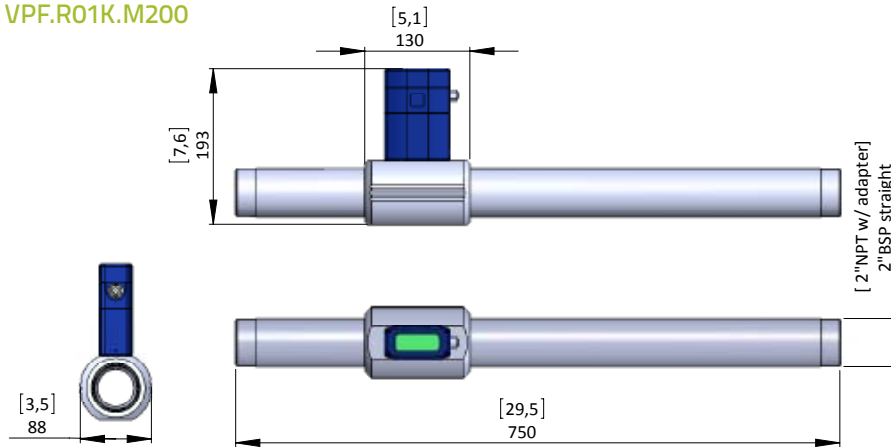
Outputs	RS232, 4 ... 20mA (isolated), pulse (isolated)
Power supply	12 ... 24 VDC +/- 10 % Class 2 (UL)
Power consumption	< 100 mA. Peak power at start up may be 500mA, depending on actual flow and ambient temperature.
Connection type	M12 (8 pole)

### Approvals/conformity

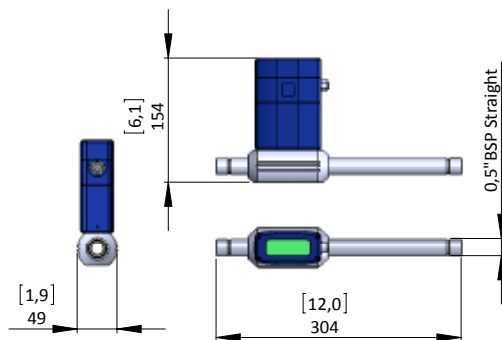
CE	EN 61326-1, EN 50082-1
UL/ CUL	14 AZ, Industrial Control Equipment

# Technical drawings

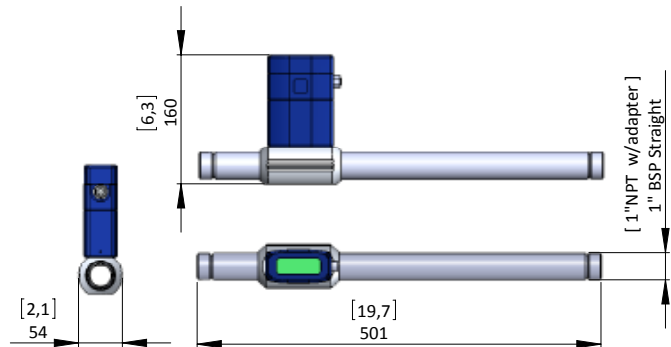
## VPF.R01K.M200



## VPF.R060.M050



## VPF.R200.M100



Remark: Lengths with NPT thread/ NPT adapters may be slightly longer than stated in drawing.

## Order codes

### Flow meters

VPF.R060.M050.D1  
VPF.R200.M100.D1  
VPF.R01K.M200.D1

### Flow range

60 m<sup>3</sup><sub>n</sub>/hr | 35 SCFM<sup>1</sup>  
200 m<sup>3</sup><sub>n</sub>/hr | 117 SCFM  
1000 m<sup>3</sup><sub>n</sub>/hr | 590 SCFM

### Size

15 mm 1/2"  
25 mm 1"  
50 mm 2"

The complete solution, ready to install: VPFlowMate in-line, including display, 5 meter / 16.4 ft M12 cable and ISO calibration report and tubing kit. Outputs: RS232, 4 ... 20mA and pulse.

### Accessories

VPA.0000.100  
VPA.0000.102  
  
VPA.0000.005  
  
VPA.0006.001

Power supply, with M12 connector, Real time read out via display.  
JB1 interface box for PC connection via USB, includes 12V Power supply, USB converter, M12 connection cable 5 meter/ 16.4 ft.  
Cable, 5 meter/ 16.4 ft, with M12 connector (8 pole) - on one side, open wires on other side. For permanent installation, connection with a compressor control panel, PLC, DCS system  
USB PC connection cable for VPFlowMate

- 1 SCFM values are rounded off
- 2 US Models are sold with